



Address: Xinqian Industrail Zone  
Huangyan,zhejiang

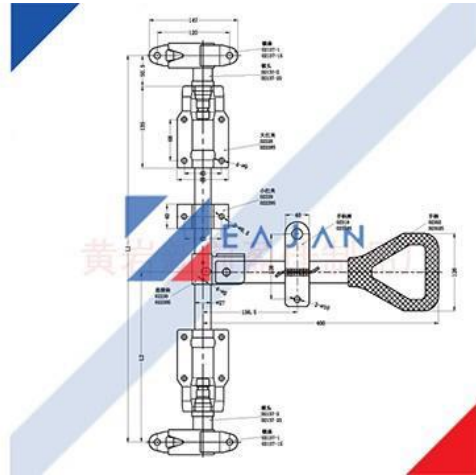
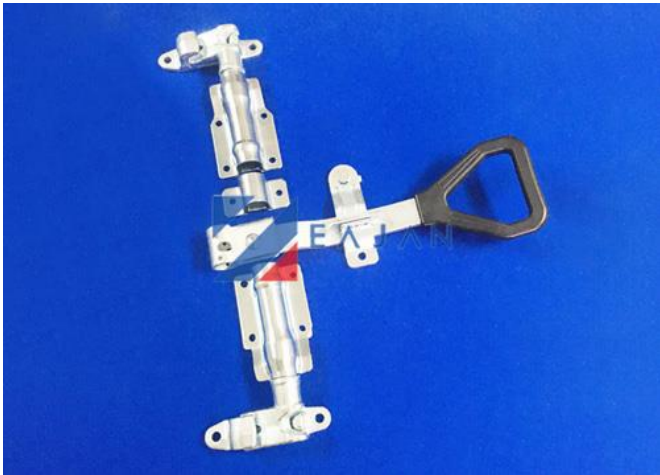


Phone:  
0576-84355185



Email:  
yingjiajinshu@vip.163.com

## Steel Cam Door Lock



As one of the most professional **door locks** suppliers in China, our factory provides high quality **Steel Cam Door Lock** made in China with competitive price.

Materials available for **Steel Cam Door Lock** :

stainless steel, steel, aluminum alloy, zinc alloy, etc.

Surface treatment of **Steel Cam Door Lock** :

polishing; galvanizing; sandblasting; powder coating; electrophoresis; chrome plating; anodizing, etc.

Processing method of **Steel Cam Door Lock** :

metal stamping/casting/forging/riveting/welding/machining, etc.

★★★★★ 4.8

## Yingjia Metal Product Factory

Yingjia is good at manufacturing all kinds of metal products. According to customer needs, we will provide the most suitable **Steel Cam Door Lock**. In addition, it also provides **door locks design** services, **door locks mass production**, post-assembly or processing services. Yingjia is a reliable, well-developed and professional **Steel Cam Door Lock manufacturer**. High-quality products and competitive prices are our firm guarantee to customers. We have advanced machinery and equipment to produce any metal products for our customers.

Established in 1995, Huangyan Xinqian Yingjia Metal Product Factory, Direct Manufactory of **Steel Cam Door Lock** for 20 years. In the year 2000 we established the business division that specially focus on the designing, developing and producing the commercial vehicle body parts. With the 20 years rich experiences, we now can provide to customers the best suitable solution of metal product. Here you will find various parts and accessories for commercial vehicles, curtain side, vans, trailers and semi-trailers, refrigerators, transport containers, trucks and recreational vehicles, etc.

# Other door locks



Stainless Steel  
Polished Recessed  
Door Lock



Body Container Rear  
Sliding Door Lock



Zinc Alloy Truck Door  
Handle Lock



Body Lock For Dump  
Truck Door



China Shipping  
Container Door Lock



Van Box Trailer Door  
Lock



Trailer Door Locking  
Gear



Trailer Recessed Door  
Lock



Truck Body Parts  
Trailer Lock



Truck Body Fittings  
Trailer Latch



Steel Zinc Plated  
Trailer Door Locking  
Gear



Steel Cam-Action  
Lockable Rear Door  
Lock



OEM Truck Container  
Truck Door Lock



Stainless Steel  
Polished Door Locking  
Gear



Stainless Steel Heavy  
Duty Refrigerated  
Door Lock



Cam Lock



Heavy Duty Welded Truck Rear Door Lock



Semi Truck Body Parts Trailer Latch



Sample Accepted Van Door Lock



China Truck Body Door Lock



Refrigerator Cargo Food Door Locking Gear



Mild Steel Or Stainless Steel Polished Door Lock



OD27mm Stainless Steel Trailer Door Lock



OD22mm Truck Door Handle Lock Set



Truck Rear Door Lock



Manufacturer Of Truck Body Parts Truck Lock



Hot-Selling And High Quality Truck Door Lock



Dry Freight Trailer Recessed Door Lock



Shipping Container Truck Rear Door Lock



Galvanized Steel Side Board Trailer Locks



Food Truck Refrigerator Freeze Container Door Lock



Food Truck Refrigerator Freeze Trailer Lock



Container Truck Van Door Lock



Casting Steel Parts Trailer Truck Rear Door Lock



22mm Trailer Assembly Truck Door Handle Lock Set